



گروه فنی مهندسی جوش و برش مقدم

اعتماد از شما کیفیت و تخصص از ما



09153223758



051-37581400



<https://www.moghadamwelding>



<http://instagram.com/moghadam>



<https://t.me/moghadamwelding>



<https://whatsapp.com/channel>



<https://rubika.ir/moghadamwelding>



مشهد خیام شمالی 63 خیابان پردیسی 3

برای کسب اطلاعات بیشتر بر روی لینک ها کلیک کنید

- 7 سال سابقه آموزش تعمیرات تخصصی دستگاه های جوش اینورتری تک فاز و 3 فاز
- 7 سال سابقه فروش قطعات الکترونیکی دستگاه جوش تک فاز و 3 فاز
- آموزش تخصصی تحلیل دستگاه های جوش اینورتری مختص ابراز فروشان
- آموزش تخصصی ابراز آلات شارژی

Kingtronics®**S50VB005 THRU
S50VB100****SINGLE-PHASE GLASS PASSIVATED BRIDGE RECTIFIERS****REVERSE VOLTAGE 50 to 1000 Volts****FORWARD CURRENT 50 Ampere****FEATURES**

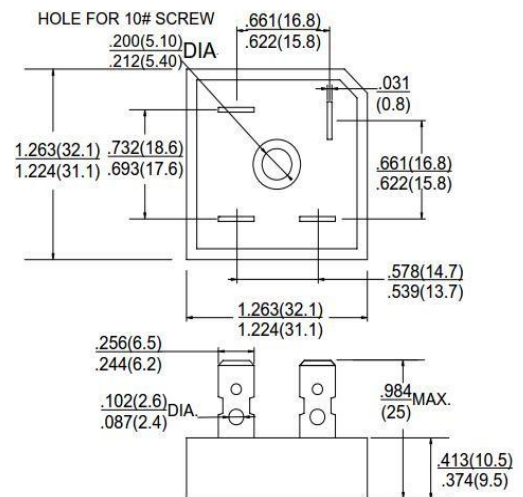
Rating to 1000V PRV
 High efficiency
 Glass passivated chip junction
 Electrically isolated metal case for maximum heat
 Dissipation
 The plastic material has UL flammability classification 94V-0
 Electrically isolated base-2500 Volts

MECHANICAL DATA

Case : Molded plastic with Heatsink internally mounted
 in the bridge encapsulation
 Polarity : As marked on Body
 Mounting : Hole for # 10 screw
 Weight : 0.70 ounces , 20 grams (terminal)

MAXIMUM RATINGS AND ELECTRICAL CHARACTERISTICS

Ratings at 25°C ambient temperature unless otherwise specified ,
 Single phase, half wave, 60Hz, resistive or inductive load.
 For capacitive load derate current by 20%

S35**Dimensions in inches and (millimeters)**

PARAMETER	SYMBOL	S50VB 005	S50VB 10	S50VB 20	S50VB 40	S50VB 60	S50VB 80	S50VB 100	UNIT
Maximum Recurrent Peak Reverse Voltage	V_{RRM}	50	100	200	400	600	800	1000	V
Maximum RMS Voltage	V_{RRM}	35	70	140	280	420	560	700	V
Maximum DC Blocking Voltage	V_{DC}	50	100	200	400	600	800	1000	V
Maximum Average Forward Rectified Current @ $T_c=T_a$	$I_{(AV)}$	50.0							A
Peak Forward Surge Current 8.3ms Single half sine-wave superimposed on rated load	I_{FSM}	450							A
Maximum Forward Voltage at 17.5A DC	V_F	1.1							V
Maximum DC Reverse Current @ $T_J=25^\circ\text{C}$ at rated DC blocking voltage @ $T_J=125^\circ\text{C}$	I_R	5.0							μA
I^2t Rating for Fusing($t<8.3\text{ms}$), (Note 1)	I^2t	800							A^2S
Typical Junction Capacitance per element (Note 2)	C_J	150							pF
Typical Thermal Resistance	$R_{\theta JC}$	1.4							$^\circ\text{C}/\text{W}$
Operating Temperature Range	T_J	-55 to +150							$^\circ\text{C}$
Storage Temperature Range	T_{STG}	-55 to +150							$^\circ\text{C}$

1- Measured at non-repetitive, for greater than 1ms and less than 8.3ms

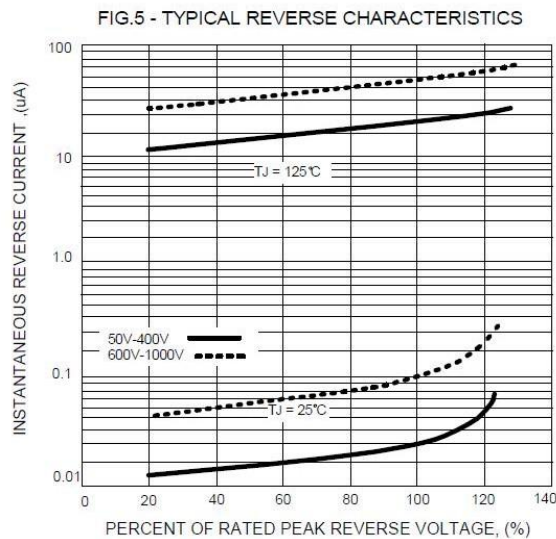
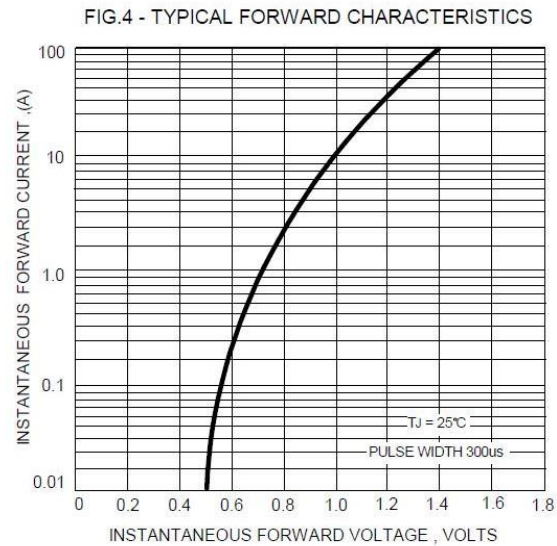
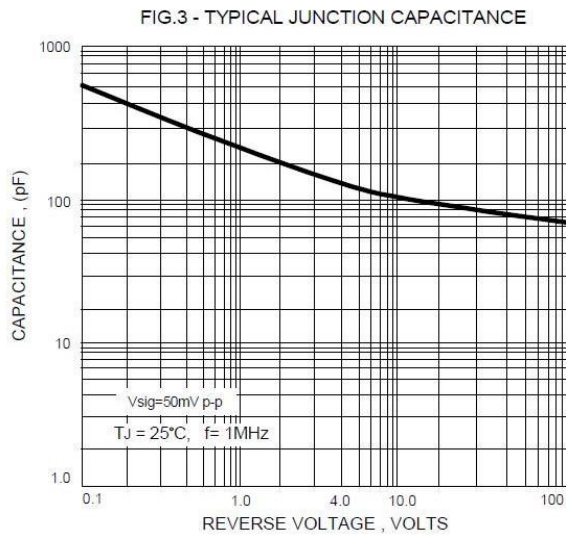
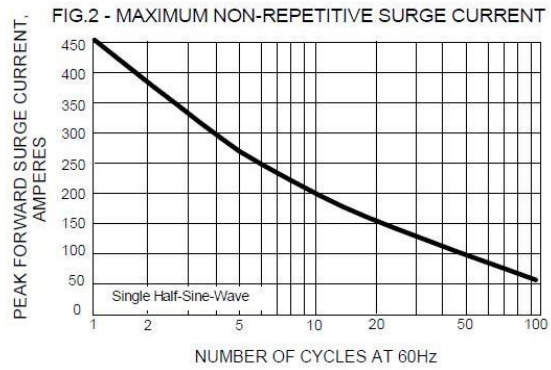
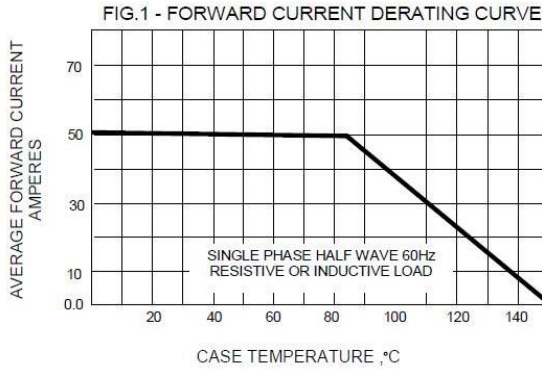
2- Measured at 1.0MHz and applied reverse voltage of 4.0V DC.

Kingtronics® International Company

Kingtronics®

S50VB005 THRU S50VB100

RATINGS AND CHARACTERISTIC CURVES



Note: Specifications are subject to change without notice.

Kingtronics® International Company